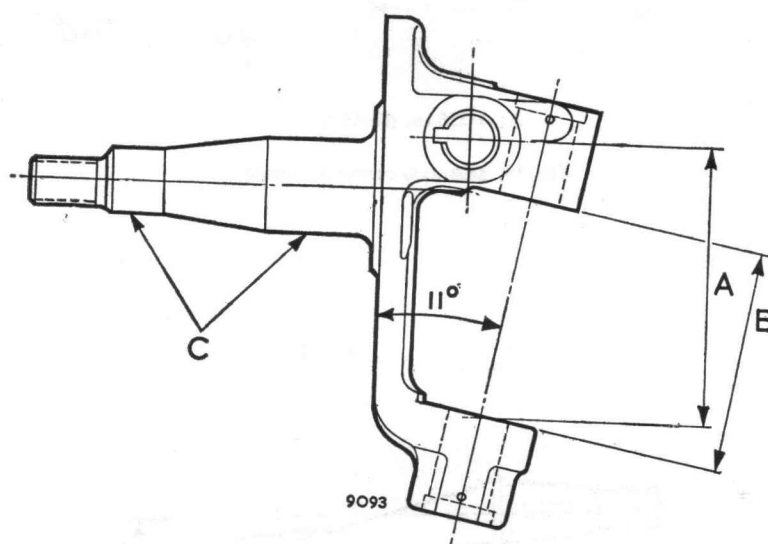


CHECKING COMPONENTS FOR DAMAGE

Dimensioned drawings are provided on the following pages to enable checks to be made on individual components, when it is suspected that they have suffered damage or distortion. Measurements should be taken with great accuracy, using precision equipment, as even

slight distortion can give relatively large errors of steering geometry.

Where components are "handed", the right-hand version is drawn; the left-hand will be symmetrically opposite.



- A: 3.20 in. (81.28 mm)
- B: 2.583 in. (61.61 mm)
- C: These diameters concentric

Fig. 18. Stub axle dimensions