

Section F (Front Suspension)

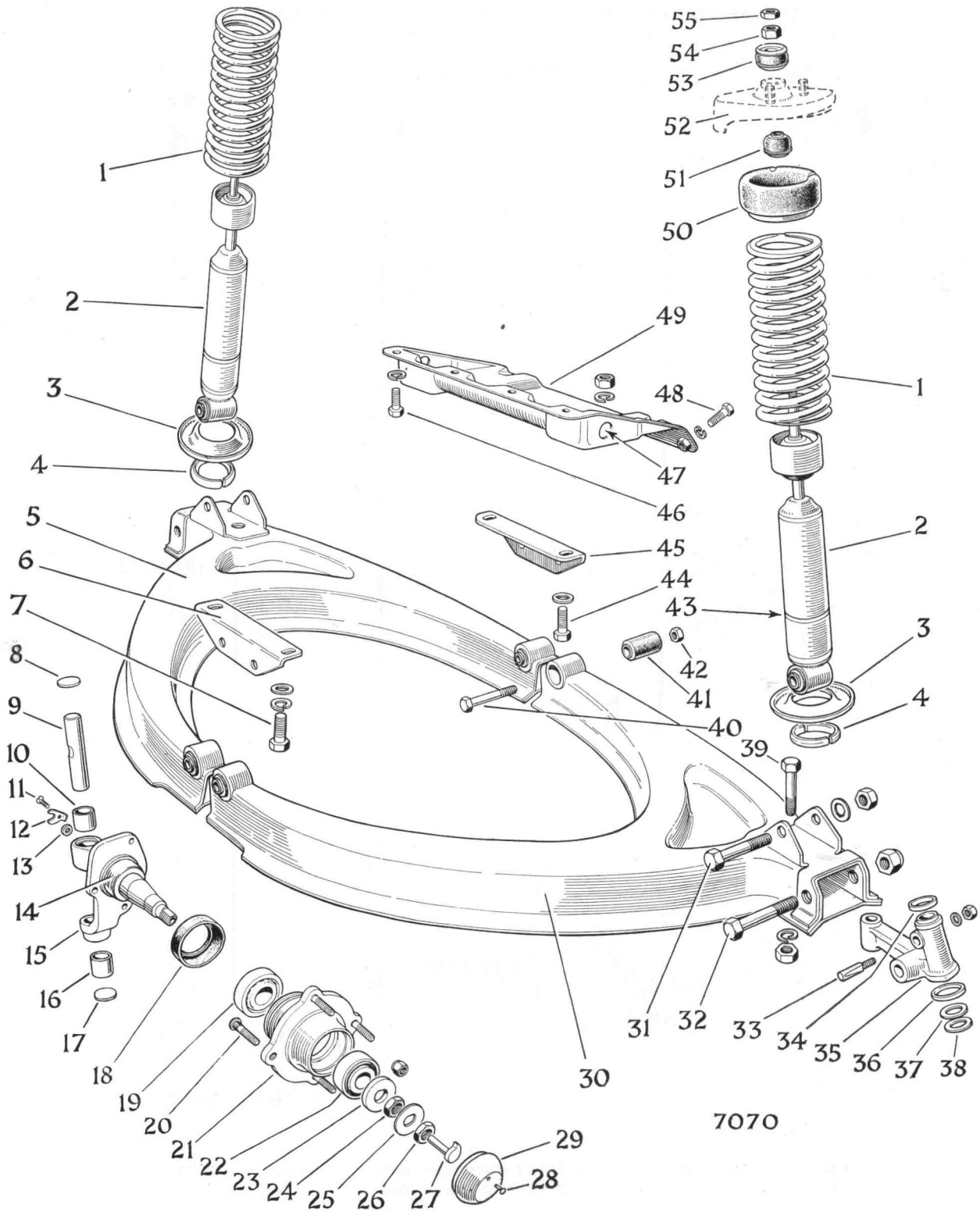


Fig. 16. Exploded view of front suspension