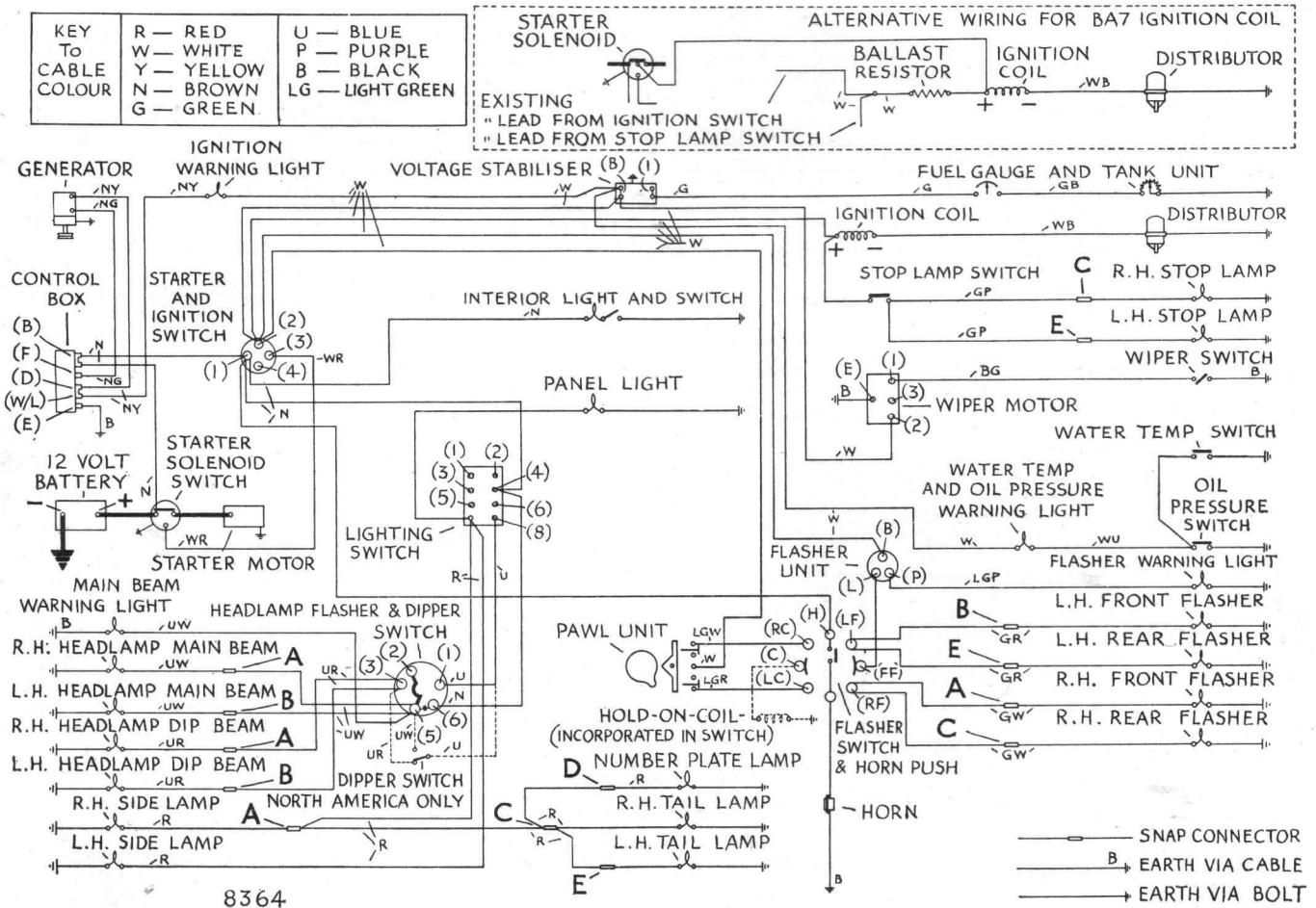


WIRING DIAGRAM

IMP Deluxe Mk II, IMP Basic Mk II



SNAP CONNECTOR LOCATIONS

- A — On right-hand front wing valance beneath glass-fibre moulding.
- B — On left-hand front wing valance beneath glass-fibre moulding.
- C — In engine compartment at right-hand side.
- D — Central in engine compartment lid.
- E — In engine compartment at left-hand side.